



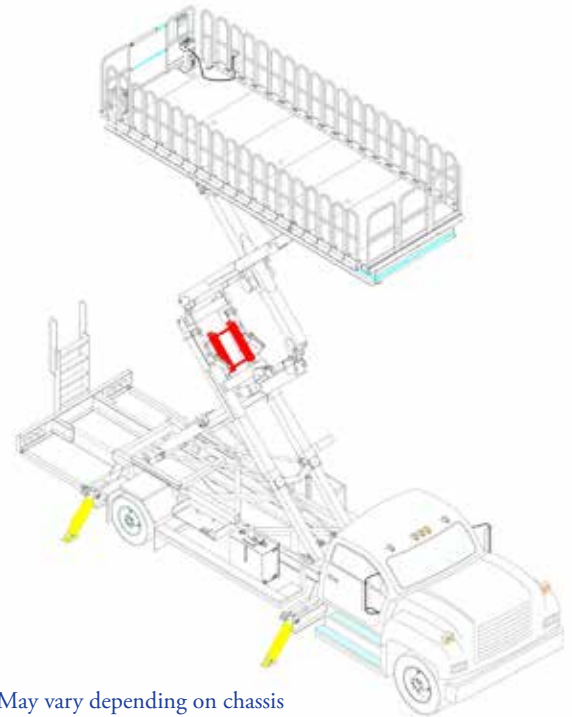
LIFT-A-LOFT

TMX MAINTENANCE LIFT

TMX MAINTENANCE LIFT

The TMX Series provides working heights of up to 38. (11.58m) with platform capacities of up to 4,000lbs. (1,814kg). The telescopic scissors assembly minimizes wheelbase requirements; this provides maximum maneuverability without compromising platform height.

MODEL	TMX32-15	TMX32-20
A. Overall length	291"(7.39M)*	349"(8.86M)*
B. Overall width	100"(2.54M)*	100"(2.54M)*
C. Wheelbase	170"(4.32M)*	218"(5.54M)*
D. Max. Platform ht.	32'(9.75M)*	32'(9.75M)*
Min. Platform ht .	6'1"(1.85M)*	6'1"(1.85M)*
Travel height	9'4"(2.84M)*	9'4"(2.84M)*
Guard rail height	39"(.99M)	39"(.99M)
Platform size	84" x 180" (2.13M x 4.57M)	84" x 240" (2.13M x 6.10M)
Traversing Platform Reach	8'(2.44M)	10'(3.05)
Turning radius	23'9"(7.24M)*	29'7" (9.01 M)*
Total platform	4,000 lbs.**	4,000 Lbs.**
C apacity	(1,814 kg)	(1,814 kg)
Total weight	26,460 lbs.* (12,002 Kg)	29,780 Lbs.* (15,508 kg)



* May vary depending on chassis
 ** May vary depending upon options

TMX FEATURES

- Telescopic Scissors Design - Provides increased stability at full elevation.
- Skydrol Resistant Paint - Protects the lift from harsh chemical spills.
- 3" Tubular Aircraft Bumpers- Adds protection when working in close proximity to aircraft.
- Platform Controls- Include pedestal with stabilizer raise/lower and ignition with anti re-start. A pendant controller includes platform traverse and raise lower controls.
- Emergency Back up Controls at Base - Allows the platform to be retracted and lowered or the stabilizers raised in the event of an engine failure.
- Non-Slip Platform Surface - Provides good traction for worker safety.
- Engine Driven Hydraulic Power Supply - Provides necessary power to operate all functions.
- Hydraulic Stabilizers- Increases stability of the entire unit.
- Lanyard Attachment Points - Available on platform for attaching fall protection.
- Traversing Platform - Provides excellent reach and precise alignment at elevation.

AVAILABLE OPTIONS

- 2' (.61) Side Deck Slider Panels*
- Cold Weather Package
- Platform Mounted Flood Lights
- Air Compressor
- 12VDC to 110VAC Power Inverter
- Overload Warning Device
- Rotating Warning Light
- Back up Alarm
- Wind Shield Exchange Module*
- Different Chassis Available
- Some options may reduce capacity of platform