



LIFT-A-LOFT MCL SERIES

MCL SERIES

PERFORMANCE**

- Travel speed - 4.25 mph (6.83km)
 - Gradeability - 10%
 - Platform lift speed - .3 fps (.091 m)
 - Platform lower speed - .5 fps (.152m)
 - Platform traverse - 5' 4.5" (1.63m) @ .3 fps (.152m)
 - Platform rotation - 360° @ 1 rpm
 - Platform capacity - 500 lbs. (226.8kg)
 - Speed control - SCR
 - Brakes - 7" (.177m) drum, spring applied pressure release
- **All performance characteristics given here are average and may be affected by operating conditions in your plant.

BATTERY INFORMATION

- Voltage - 24 volt
- Connector - 350 SB Gray
- Compartment - (all units but MCL 19.0)
- 32"L (.813m) x 14"W (.357m) x 25"H (.635m)
- MCL 19.0-32"L (.813m) x 14"W (.357m) x 22.5"H (.572m)
- Lead position: "B" - 30" (.762m) long

WHEELS

- Drive wheels- 12" x 5.5" (.304m x .139m)
- 80 Durometer Polyurethane
- Steer wheels -12" x 5.5" (.304m x .139m)
- 80 Durometer Polyurethane

PAINT

Standard color is Blue and Green

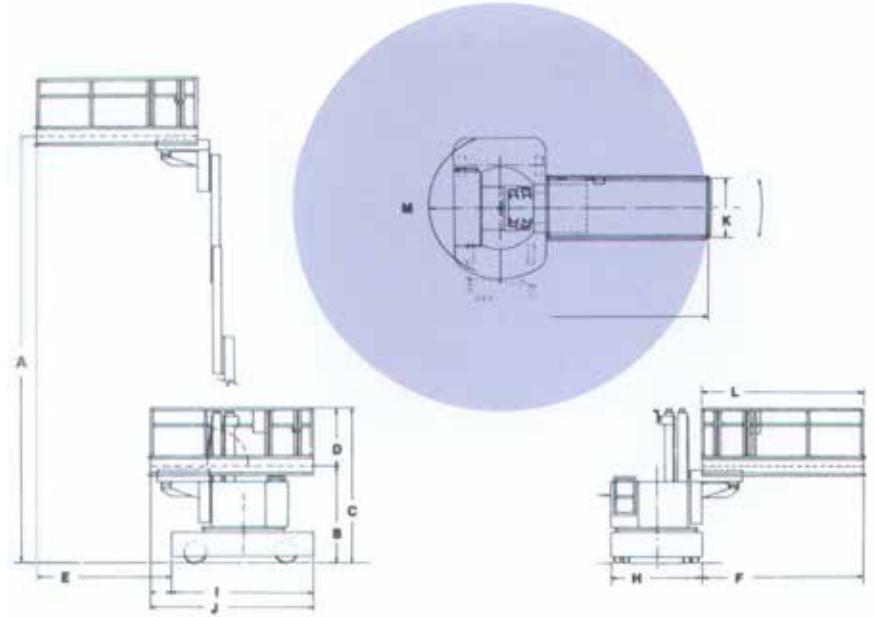
STANDARDS

The MCL series meets or exceeds all applicable ANSI Standards (A92.6).

**As Lift-A-Loft products are continuously being evaluated for improvements, specifications are subject to change
MCL 48 Front - 7'0" (2.13 m) without prior notification.

TRAVERSING PLATFORM/ROTATION

The MCL offers unequaled aerial access with a traversing platform and mast rotation. These features combine to provide greater productivity in performing in-plant maintenance and production applications at up to 36' of working height.



MODEL	A	B	C	H	I	
	Maximum Platform Ht.	Minimum Platform Ht.	Travel Height	Base Width	Base Length	Vehicle WL w/o Battery
19.0.4	19'0"	4'4"	7'10"	4'0"	6'6"	7,345 lbs.
	5.791m	1.320m	2.388m	1.219m	1.981m	3,331.6 kg.
24.0.4	24'0"	5'5"	8'11"	4'0"	6'6"	7,500 lbs.
	7.315m	1.65m	2.718m	1.219m	1.981m	3,401.9 kg.
30.0.4	30'1"	5'11"	9'6"	4'0"	6'6"	7,720 lbs.
	9.169m	1.80m	2.896m	1.219m	1.981m	3,501.7 kg.
30.0.5	29'9"	4'7"	8'2"	4'7"	7'4"	8,370 lbs.
	9.06m	1.397m	2.489m	1.397m	2.235m	3,796.5 kg.

D. Rail Height- 42" (1.07m)

E. Maximum reach over ends of base
MCL 48 Front - 7'0" (2.134m)
Rear- 6'10" (2.083m)
MCL 55 Front- 7'4" (2.235m)
Rear- 6'11" (2.108m)

F. Maximum reach over side of base
MCL 48 8'2" (2.489m)
MCL 55 8'5" (2.565m)

G. Maximum reach from CL of unit
MCL 48 10'2" (3.099m)
MCL 55 10'9" (3.277m)

J. Overall length

MCL 48 8'8" (2.642m)
MCL 55 8'11" (2.718m)

K. Platform width- 2'6" (.762m)
L. Platform length - 8'6" (2.59m)
M. Battery Box Swing- 36" (.91m)

Turning Radius
- MCL 48 8'8" (2.65m)
- MCL 55 10'0" (3.04m)